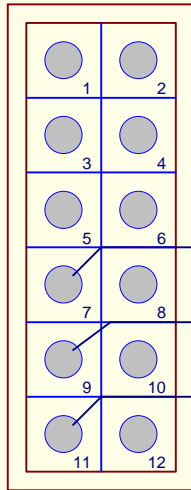
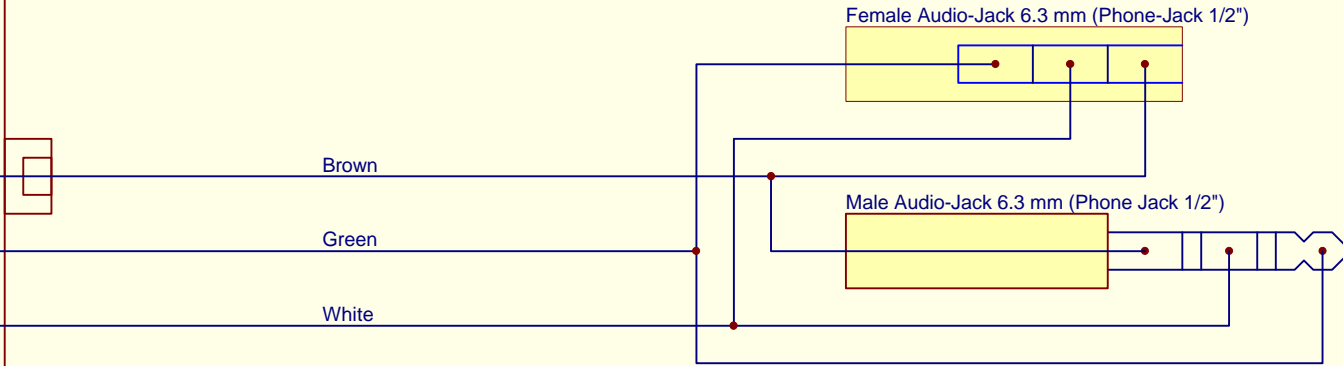


Molex Part # 39-01-2120



Front View (Socket)

### Part # BD-4006



Fron view X1 of interface

TX1	TX2	VCC	MT	ST+	ST-
12	10	8	6	4	2
RX1	RX2	GND	MR	SR+	SR-
11	9	7	5	3	1

Molex Part # 39-29-1128

Attention! Do not apply voltage to Pin #8.

Copyright (C) 2003 by BonusData AG, CH-4710 Balsthal

Title			<b>Analyzer Adapter Cable DEX/UCS/EVA-DTS</b>		
Size	Number	Revision			
A4	<b>3-12-1</b>				
Date:	9-Jul-2003	Sheet	of		
File:	F:\Article\3-12-1\3-12-1.Sch	Drawn By:	Anton Kappeler		